



"Life Ko Kare Lift"
DOLPHIN VLIFT

**COMPLETE ELEVATOR
SOLUTIONS** Toll Free No: 1800 5722 876

PASSENGER | HOME | GOODS
AUTOMOBILE | PERSONAL
PLATFORM ELEVATORS

"Life Ko Kare Lift"
DOLPHIN VLIFT

PASSENGER ELEVATORS



Passenger elevators are manufactured with load capacity of 272, 340, 408, 544, 680, 884, 1068, 1360 kg upto 1768 kg and speed movement up to 2 m/sec.

They are designed with the upper and the lower machine room for an installation in the dwelling houses, administrative and residential buildings, hotels, banks and offices.

The elevators described are featured by:

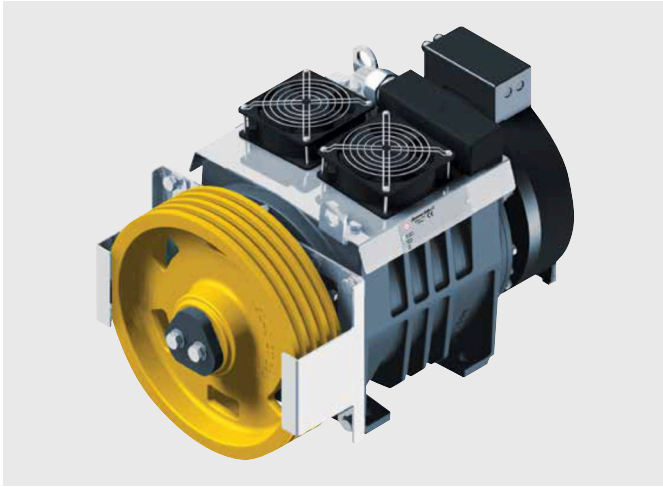
- smooth run and improved accuracy of - stop
- comfortable cabin and reduced noise level
- vandalism-proof control panels and calling posts with illumination
- indicators of the movement direction and cabin position
- microprocessor-based control station;
- frequency regulator of the motor and door drive speed
- LED lighting;
- indication of the cabin overload

Complete Elevator Solutions

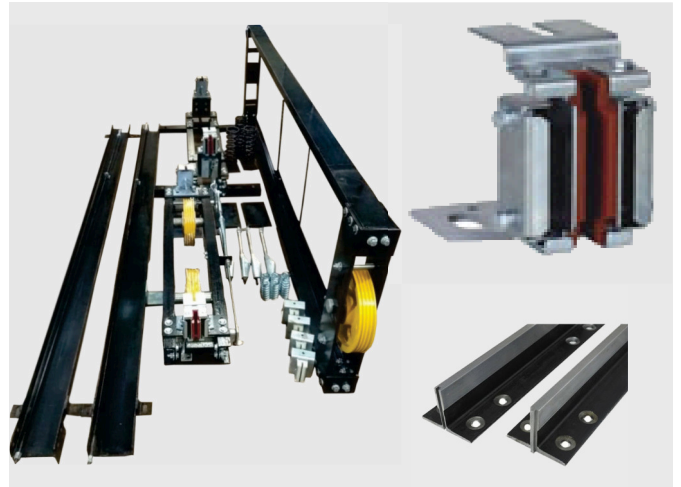
Toll Free No: 1800 5722 876

**"Life Ko Kare Lift"
DOLPHIN VLIFT**

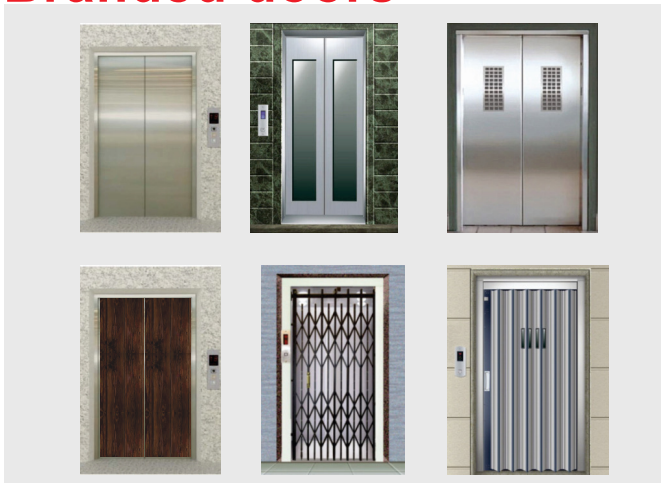
World class machines



Mechanical excellence



Branded doors



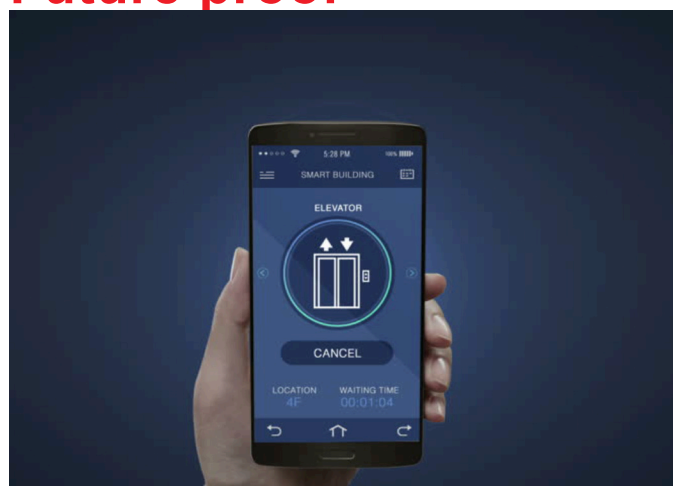
Integrated drives



Top safety features



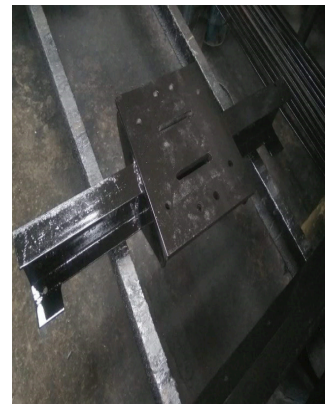
Future proof



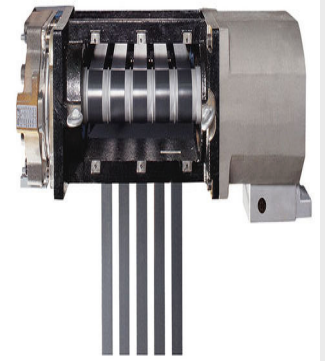
BELT DRIVE PASSENGER

2:1 MRL TRACTION GEARLESS

AUTO DOORS



**DOLPHIN
VLIFT**



TECHNICAL SPECIFICATIONS

Max Capacity	13 Passenger
Max Speed	1 mps
Max Travel	30 Mtr
Roping	2:1
Min Pit	1500mm
Min Overhead	4250mm

"Life Ko Kare Lift"
DOLPHIN VLIFT



KEY FEATURES



DOOR SENSOR



INTEGRATED DRIVE



VOICE ANNOUNCER



100% SAFETY
FEATURES



1 MILLION
BUTTON TEST



FIREMAN SWITCH



EMERGENCY ALARM



CLOSE LOOP
SYSTEM



OVERLOAD SENSOR

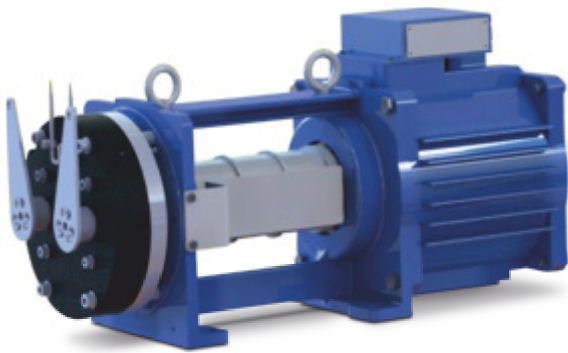
Belt Drive Elevator Solutions

**DOLPHIN
VLIFT**



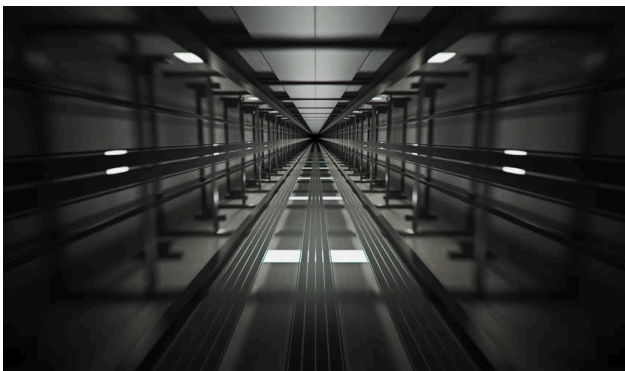
Shaft Spacing Saving

**A Small Machine Means Direct Shaft Saving and
More Area for the Passenger and Cabin**



Compact Machine Design

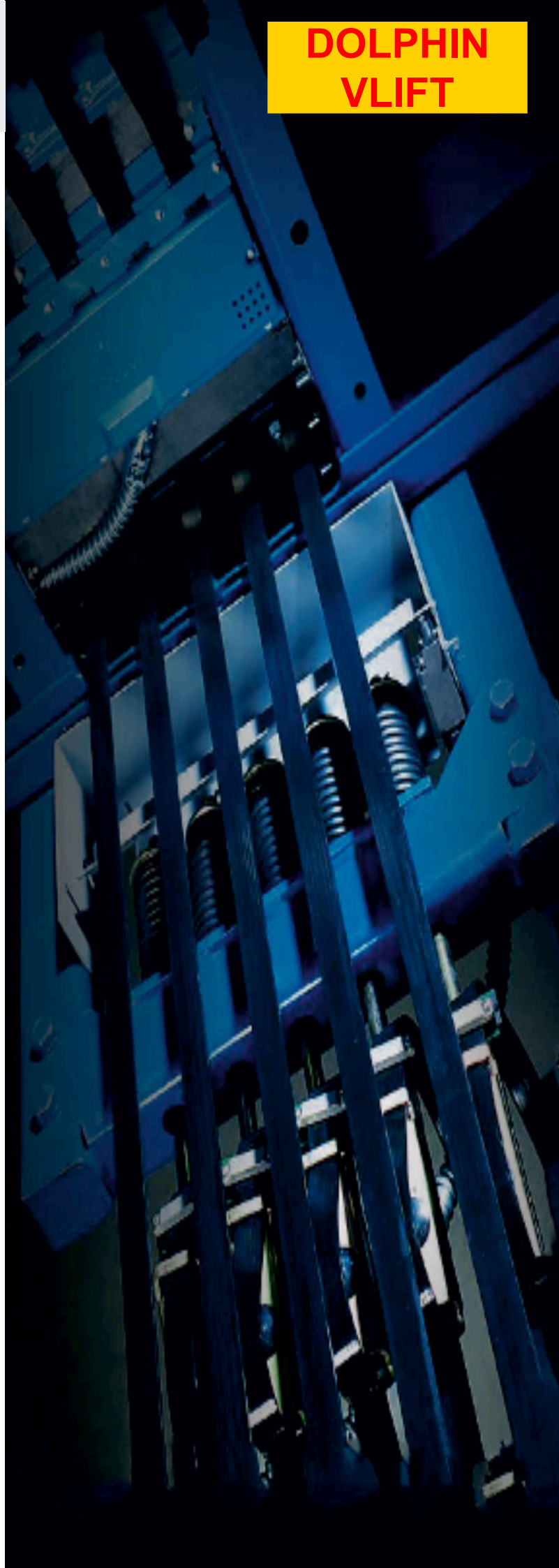
**The Lower Bend Radius required for Coated
Flat Steel Belts means A Small Compact Machine
And More Efficient than Geared Systems**



Smooth Travel

**Conventional Ropes replaced for Coated Flat
Steel Belts Eliminating Noise created by Metal
To Metal noise made by Conventional Systems**

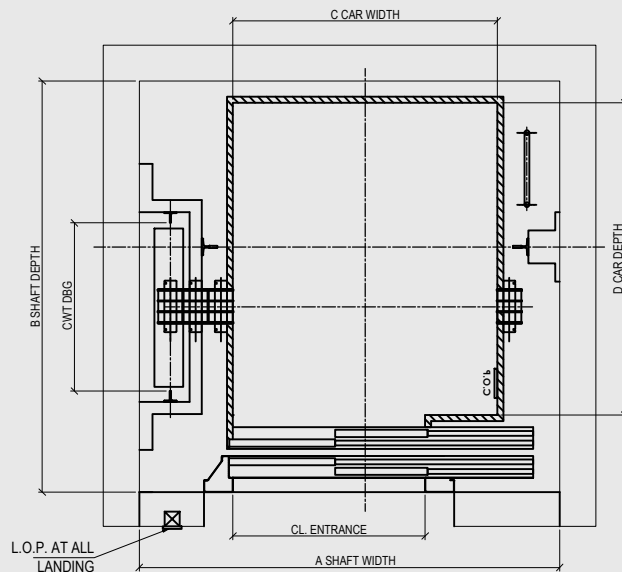
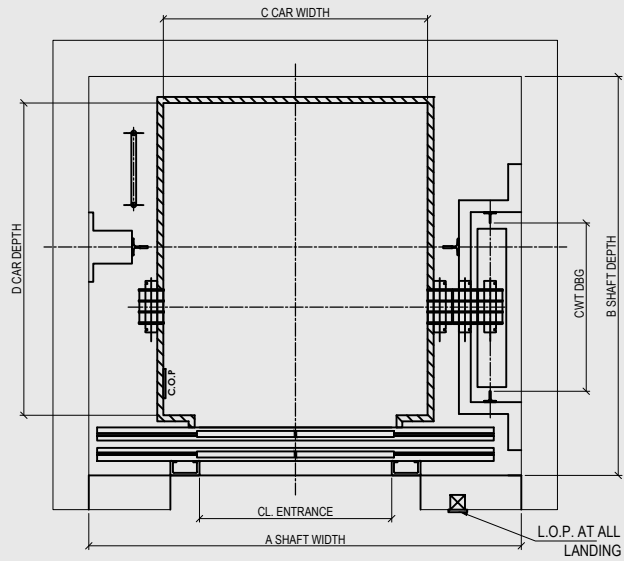
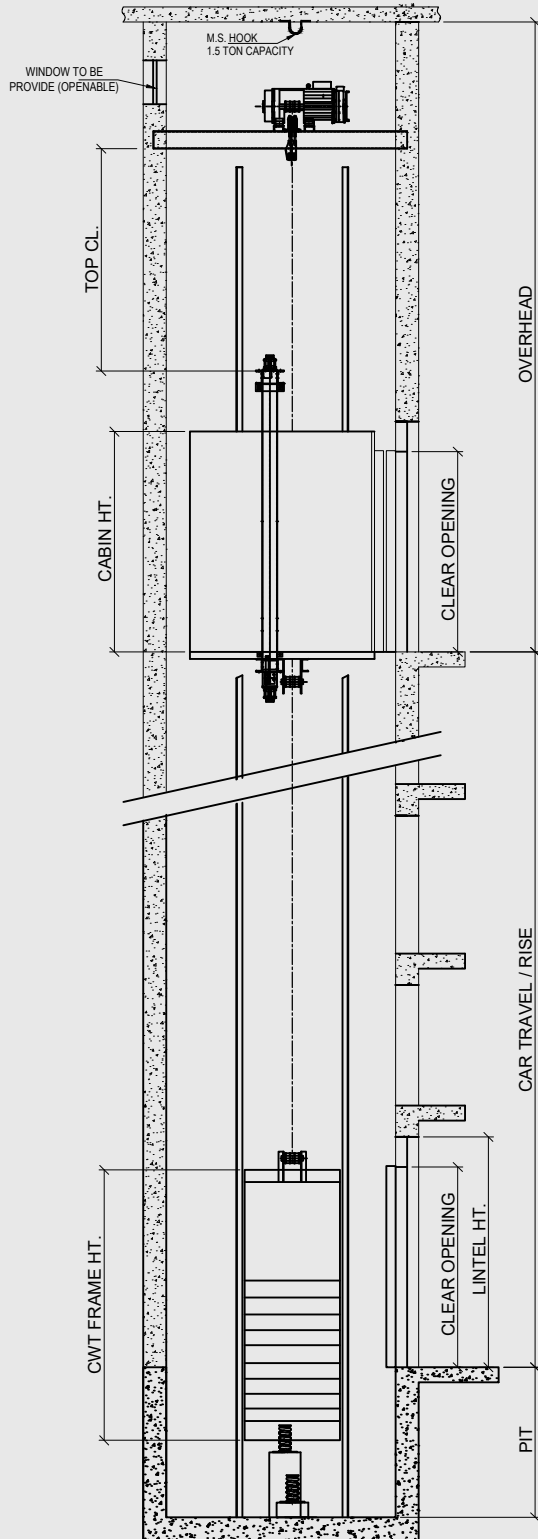
"Life Ko Kare Lift"
DOLPHIN VLIFT



DOLPHIN VLIFT

BOTTOM PULLEY ARRANGEMENT

BELT DRIVE



PASSENGER TRACTION AUTO BELT DRIVE MRL 2:1

PASSENGER	LOAD KG.	ENTRANCE	LIFT WELL C.O.		CAR SIZE C.O.		LIFT WELL TEL.O.		CAR SIZE TEL.O.		SPEED MPS	TRAVEL HT. MTR.	PIT	OVERHEAD
			A	B	C	D	A	B	C	D				
8	544	800x2000	1800	1600	1100	1300	1700	1650	1100	1300	1.0	UP TO 30	1500	4250
10	680	800x2000	1850	1700	1200	1400	1800	1750	1200	1400	1.0	UP TO 30	1500	4250
13	884	900x2000	2000	2000	1300	1700	1950	2050	1300	1700	1.0	UP TO 30	1500	4250

2:1 MRL **AUTO**
TRACTION **BELTDRIVE**

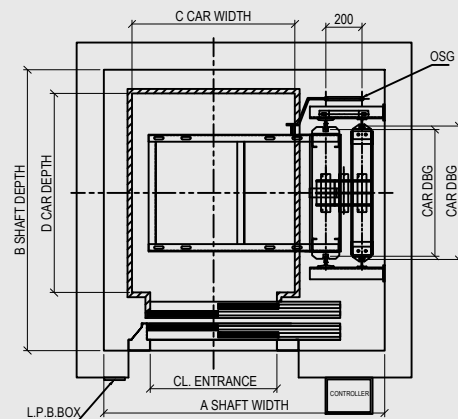
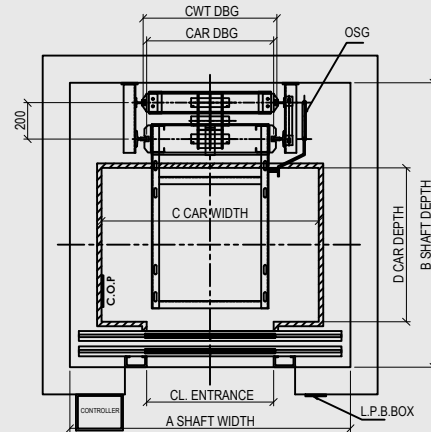
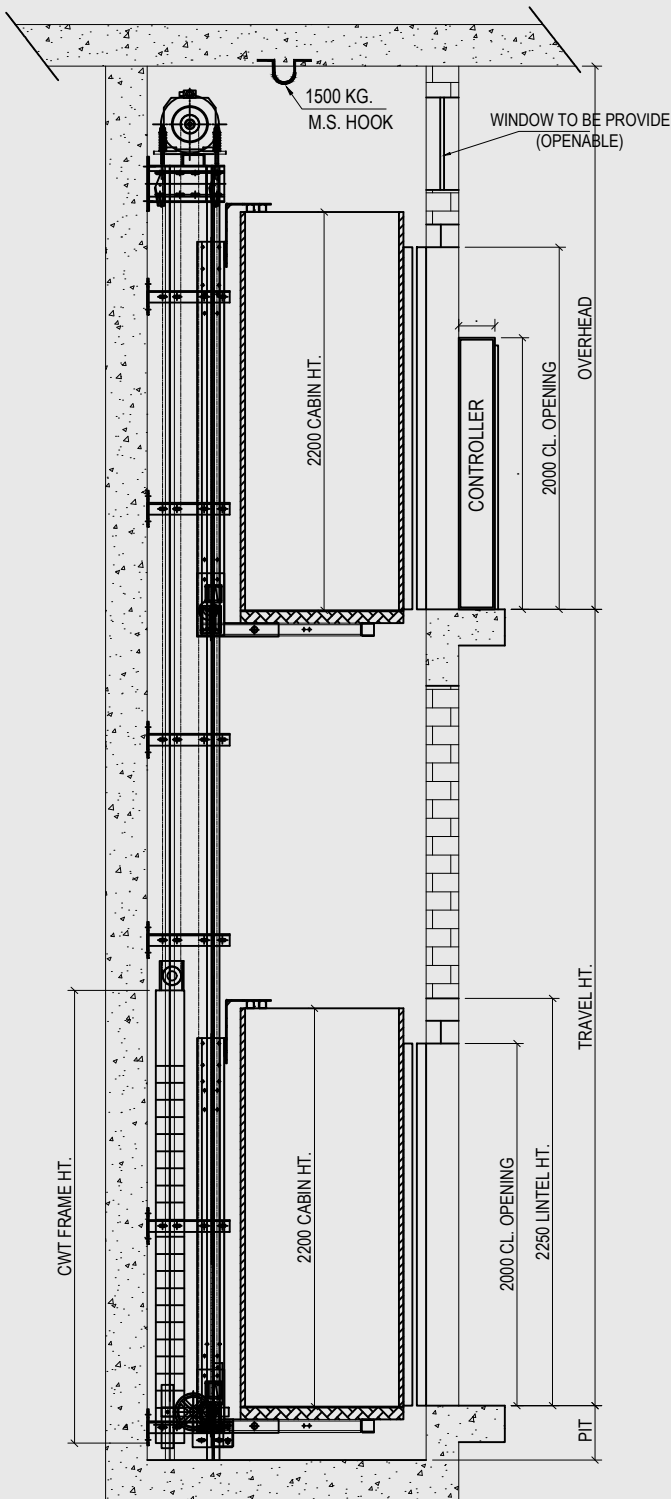
Toll Free No: 1800 5722 876

"Life Ko Kare Lift"
DOLPHIN VLIFT

DOLPHIN VLIFT

**CANTILEVER
ARRANGEMENT**

BELT DRIVE



PASSENGER TRACTION CANTILEVER BELT DRIVE MRL 2:1

PASSENGER	LOAD KG.	ENTRANCE	LIFT WELL C.O.				CAR SIZE C.O.				LIFT WELL TEL.O	CAR SIZE TEL.O.		SPEED MPS	TRAVEL HT. MTR.	PIT	OVERHEAD
			A	B	C	D	A	B	C	D							
4	272	700x2000	1550	1350	1100	700	1400	1350	750	1000	0.32 - 0.63	UP TO 12	300 - 1000	3000 - 4000			
5	340	700x2000	1550	1500	1100	850	1500	1350	900	1000	0.32 - 0.63	UP TO 12	300 - 1000	3000 - 4000			
6	408	700x2000	1550	1600	1250	900	1600	1450	1000	1100	0.32 - 0.63	UP TO 12	300 - 1000	3000 - 4000			
8	544	800x2000	1750	1800	1300	1100	1750	1650	1100	1300	0.32 - 0.63	UP TO 12	300 - 1000	3000 - 4000			

**ENGINEERS TO
ELEVATOR INDUSTRY**

Toll Free No: 1800 5722 876

**DOLPHIN
VLIFT**



"Life Ko Kare Lift"
DOLPHIN VLIFT

**VLIFT TECHNOLOGIES PVT LTD
INDIA.
Toll Free No: 1800 5722 876**

**+91 9948797917
+91 9849511198**

"Life Ko Kare Lift"
DOLPHIN VLIFT

**ENGINEERS TO
ELEVATOR INDUSTRY**